

AMPERSAND PD22332-UNV

PENDANTS

PROJECT



DESCRIPTION

Triangular in section the interior arcing surface of the lamp structure emanates light while the profile tapers into a razor thin edge. Available in two sizes the gestural Ampersand chandelier provides a reductive aesthetic focus but accomplished with a poetic flair.



PD22332-BG-UNV
Brushed Gold



PD22332-BN-UNV
Brushed Nickel



PD22332-BK-UNV
Black



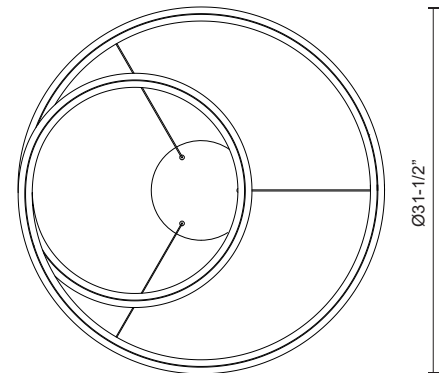
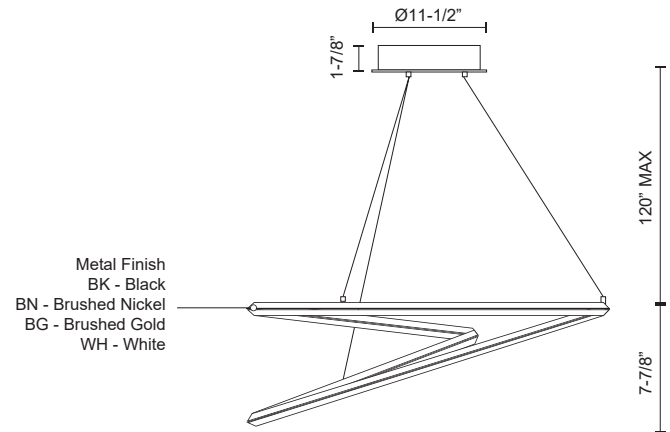
PD22332-WH-UNV
White

SPECIFICATION DETAILS

Fixture Dimensions	D31-1/2" x H7-7/8"
Light Source	LED with DC Driver
Wattage	67W
Total Lumens	4550lm
Delivered Lumens	BG-3200lm*; BK-2800lm*; BN-3344lm; WH-3400lm*
Voltage	120-277V
Color Temperature	3000K
CRI (Ra)	90CRI
Optional Color Temps	2700K - 5000K Available, Minimum Order Quantities Apply
LED Rated Life	50,000 hours
Dimming	100% - 10%, TRIAC or ELV Dimmer (Not Included)
Diffuser Details	White Acrylic Diffuser
Adjustable	Yes
Wire Length	120" Max
Wire Type	BG, BN, WH - Clear Wire; BK - Black Wire;
Minimum Hang Height	21"
Sloped Ceiling Adaptable	Yes
Location	Dry
CEC Title 24 JA8	Yes, JA8-2022
Canopy Dimensions	D11-1/2" x H1-7/8"
Paint Finish	BG01; BK02; BN01; WH02;
Material	Aluminum + Acrylic
Illumination Direction	Omni-directional

* For custom options, consult factory for details.

* For warranty information, please visit www.kuzcolighting.com/warranty



COMMENT

KUZCO

CANADA: 19054 28TH AVENUE - SURREY, BC V3Z 6M3

USA: 3035 E. LONE MOUNTAIN ROAD - LAS VEGAS, NV 89081

WWW.KUZCOLIGHTING.COM

© 2019 KUZCO LIGHTING. ALL RIGHTS RESERVED.

