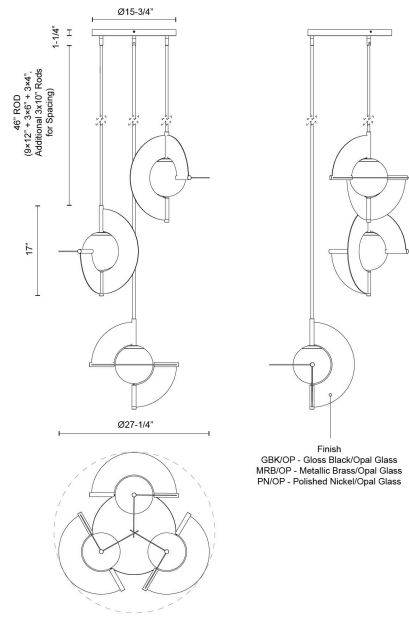


## Scorpio 27-in Chandelier

Model	Color Temperature	Wattage	Voltage	Total Lumens	Delivered Lumens	Dimmer Support (Optional, Not Included)
<b>CH65127-UNV</b> CH65127-GBK/OP-UNV CH65127-MRB/OP-UNV CH65127-PN/OP-UNV	3000K	43W	120-277V	3690lm	2655lm* (GBK/OP) 2835lm* (MRB/OP) 2915lm* (PN/OP)	TRIAC/ELV



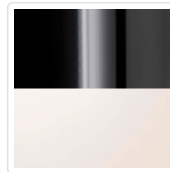
The Scorpio collection captivates with its bold geometric design, blending modern aesthetics with luxurious mirrored finishes. Its reflective metal frame encircles a smooth opal glass center, creating a dynamic interplay of light and depth. Perfect for contemporary interiors, Scorpio adds a striking, infinite-loop effect that elevates any space.



### SPECIFICATION DETAILS

Fixture Dimensions	D27-1/4" x H17"
Canopy Dimensions	D15-3/4" x H1-1/4"
Minimum Hang Height	48"
Location	Dry
Dimming Range	100% - 10%
Glass Details	Opal Glass
Illumination Direction	Omni-directional
Light Source/Life	LED (50,000 hours) 90CRI
Material	Aluminum, Steel, Glass
Slopped Ceiling Adaptable	Yes, 18 Deg
Rod Length	46" Max (9x12" + 3x6" + 3x4", Additional 3x10" Rods for Spacing)
Shade Details	Opal Glass Shade
Wire Length	72"
Compliance	<b>ETL Certified:</b> Yes <b>CEC Title 24:</b> Yes

### FINISHES



Glossy Black/Opal Glass (GBK/OP)



Metallic Brass/Opal Glass (MRB/OP)



Polished Nickel/Opal Glass (PN/OP)

\* For custom options, contact customer service.

\* For warranty information, please visit [www.kuzcolighting.com/warranty](http://www.kuzcolighting.com/warranty)

[WWW.KUZCOLIGHTING.COM](http://WWW.KUZCOLIGHTING.COM)

USA: 3035 E. LONE MOUNTAIN ROAD - LAS VEGAS, NV 89081

CANADA: 19054 28TH AVENUE - SURREY, BC V3Z 6M3