

W32708

INSTALLATION INSTRUCTIONS SHEET

START FROM HERE

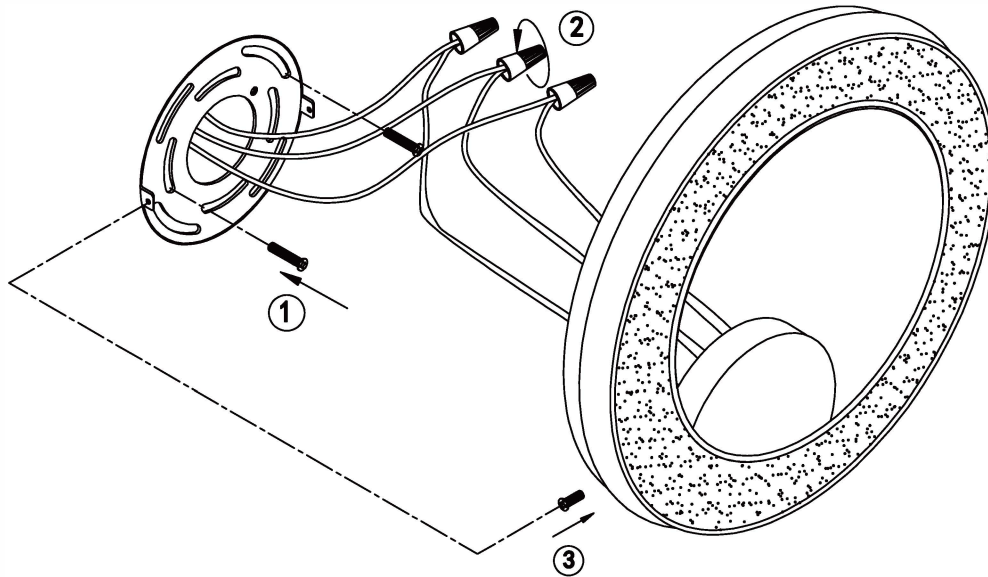
- Make sure power is completely off at the fuse box.
- Have your fixture installed by a qualified licensed electrician
- Prepare everything in clear area.
- Wear gloves at all times during this installation.
- Read instructions carefully before you start assembly.
- Keep this instruction sheet for future reference.

Technical Support: 1-844-628-8368

Please Note:

- All Matteo Lighting fixtures come with pre-wired module(s).
- Unless instructed to do so, please do not touch any part of the module(s) as unnecessary contact with the module could cause permanent damage.

THIS LUMINAIRE MUST BE MOUNTED OR SUPPORTED IN A JUNCTION BOX
*CE LUMINAIRE DOIT ÊTRE MONTÉ OU SUPPORTÉ DANS UNE BOÎTE
DE JONCTION*



- Ensure main supply is switched off.
- Fit mounting bracket onto mounting surface with screws (1).
- Connect wires (2) according to color (White to White, Black to Black). Connect all earth lug together onto the crossbar with green screw to tight.
- Fit canopy onto mounting bracket with screws(3).
- Reconnect power.
- Light source: DC LED 13W, dimmable, 3CCT: 3000K, 4000K, 5000K, CRI90.

DIMMABLE AND 3 COLOR TEMPERATURE ADJUSTABLE (3000K/4000K/5000K)

- Short press on/off switch will change the color temperature to 3000K, 4000K or 5000K.
- TRIAC dimming, brightness adjust from 10% ~100%.
- Adjust the fixture to 100% brightness, keep the light on for over 10 seconds, then off for over 60 seconds, it will memorize the CCT and keep it at next power on.

WARNING:

- This fitting must be earthed.
- Disconnect power and allow fitting to cool down before cleaning or changing the lamp.