

S10424

INSTALLATION INSTRUCTIONS SHEET

START FROM HERE

- Make sure power is completely off at the fuse box.
- Have your fixture installed by a qualified licensed electrician
- Prepare everything in clear area.
- Wear gloves at all times during this installation.
- Read instructions carefully before you start assembly.
- Keep this instruction sheet for future reference.

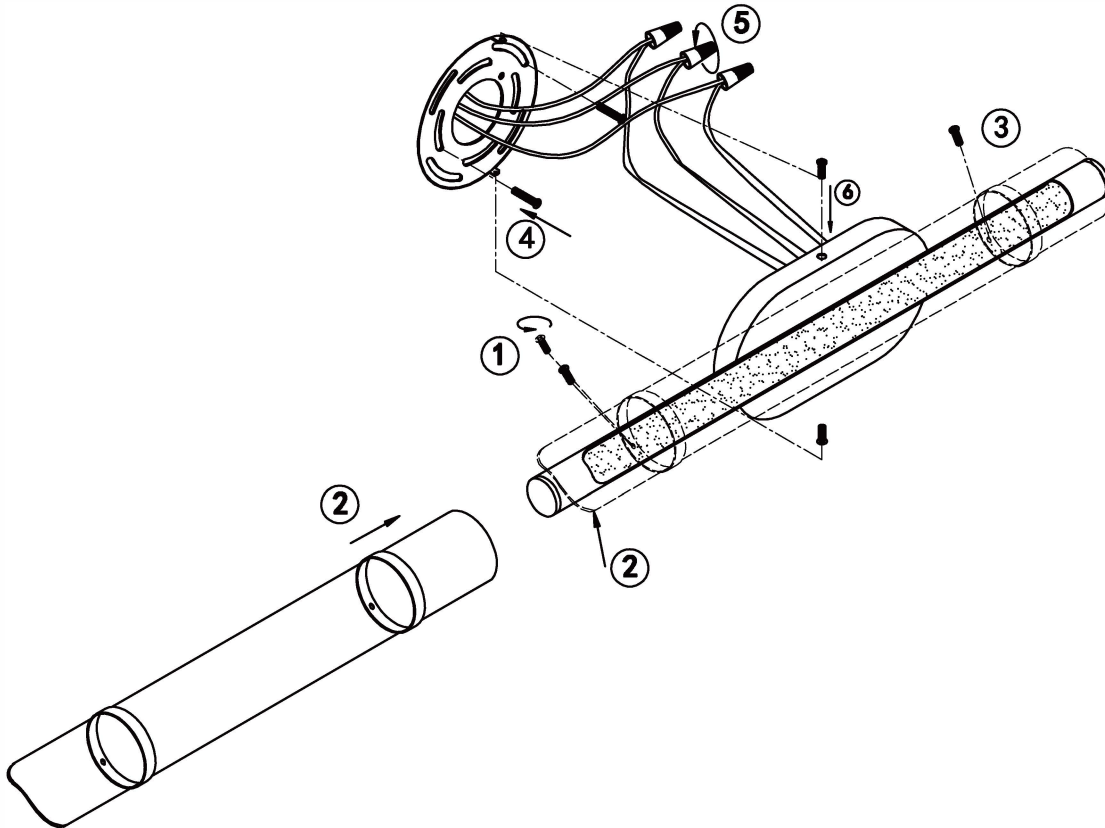
Technical Support: 1-844-628-8368

Please Note:

- All Matteo Lighting fixtures come with pre-wired module(s).
- Unless instructed to do so, please do not touch any part of the module(s) as any unnecessary contact with the module could cause permanent damage.

THIS LUMINAIRE MUST BE MOUNTED OR SUPPORTED IN A JUNCTION BOX

CE LUMINAIRE DOIT ETRE MONTE OU SUPPORTE DANS UNE BOITE DE JONCTION



- Ensure main supply is switched off.
- Remove the screws (1) from glass cover.
- Fit glass cover(2) to lamp body.
- Adjust the glass cover and then fix the decorative ring(3).
- Fit mounting bracket onto mounting surface with screws (4).
- Connect wires (5) according to color (White to White, Black to Black). Connect all earth lug together onto the crossbar with green screw to tight.
- Fit canopy onto mounting bracket with screws (6).
- Reconnect power.
- Light source: AC LED 24W dimmable, 3CCT: 3000K, 4000K, 5000K, CRI90

WARNING:

- This fitting must be earthed.
- Disconnect power and allow fitting to cool down before cleaning or changing the lamp.