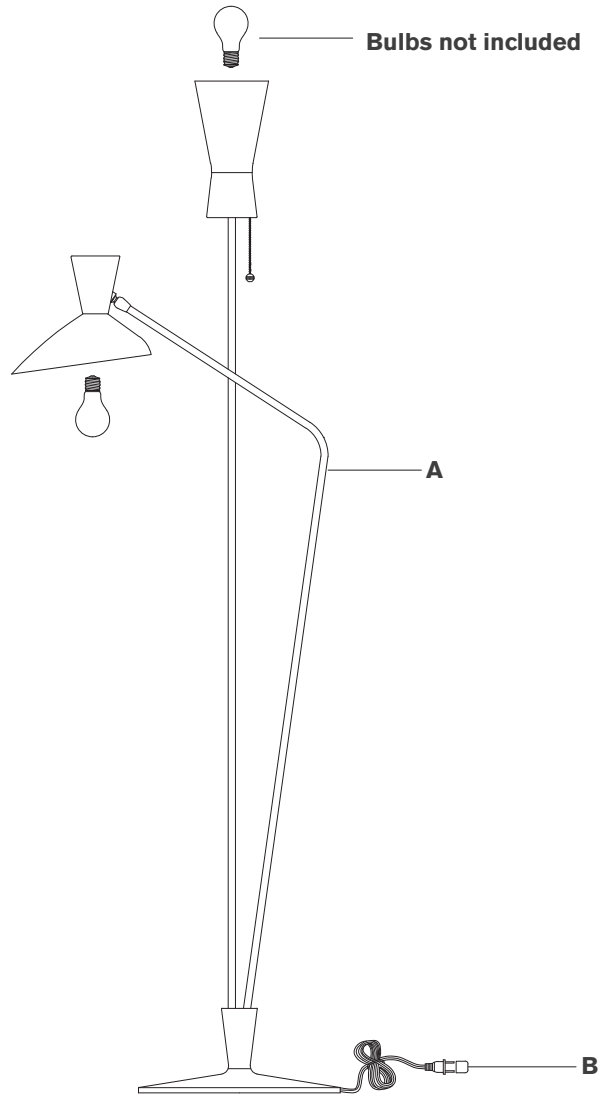


ASSEMBLY INSTRUCTIONS



Austen Large Dual Function Floor Lamp

Item # ARN 1712

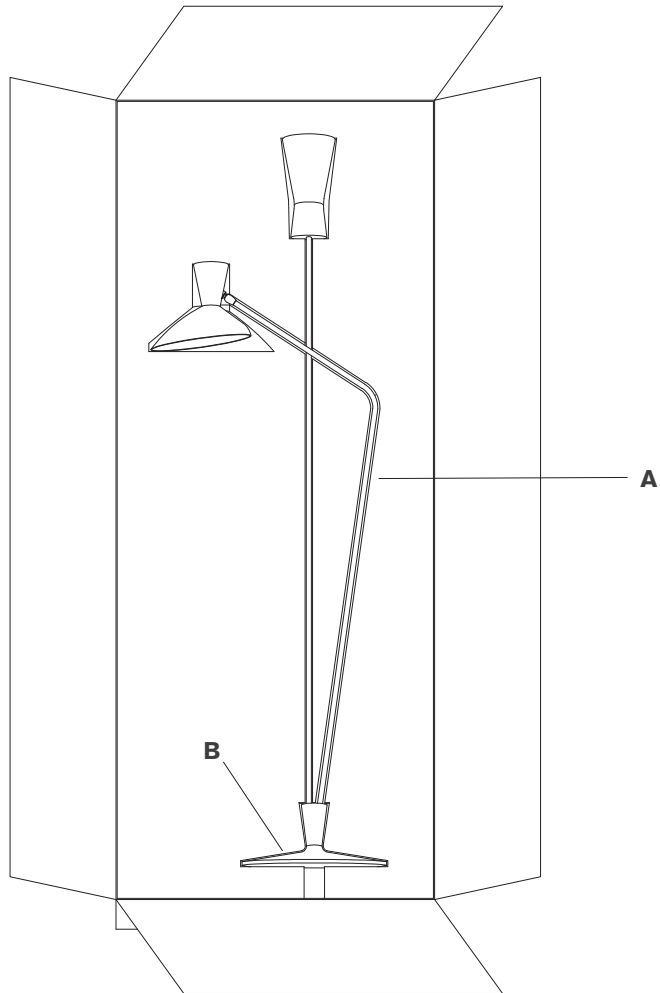
NOTICE:

This light fixture should be installed in accordance with all applicable, local installation codes, and by a person familiar with the construction and operation of it, as well as the hazards involved. Inspect item and contents carefully. If any damage or defect is found, do not install. Retain all packaging material until installation is complete and approved.

1. Carefully remove all parts from the box as noted in unpacking notice. Place on a clean, soft surface.
2. Install light bulb into the socket.
3. Remove protective cover **(E)** from plug.
4. Plug into electrical outlet and test the fixture.

Care Instructions: Clean only with a soft dry cloth or feather duster. Do not use abrasive or chemical agents.

UNPACKING NOTICE



Austen Large Dual Function Floor Lamp

Item # ARN1712

NOTICE:

Please follow instructions below to avoid possible damages caused by improper removal.

1. Open box and remove top layer of packaging.
2. Supporting lamp body with one hand, carefully stand carton upright with lamp base at the bottom.
3. Gently slide item out of packaging by base of lamp (**B**) while carefully supporting lamp body (**A**).