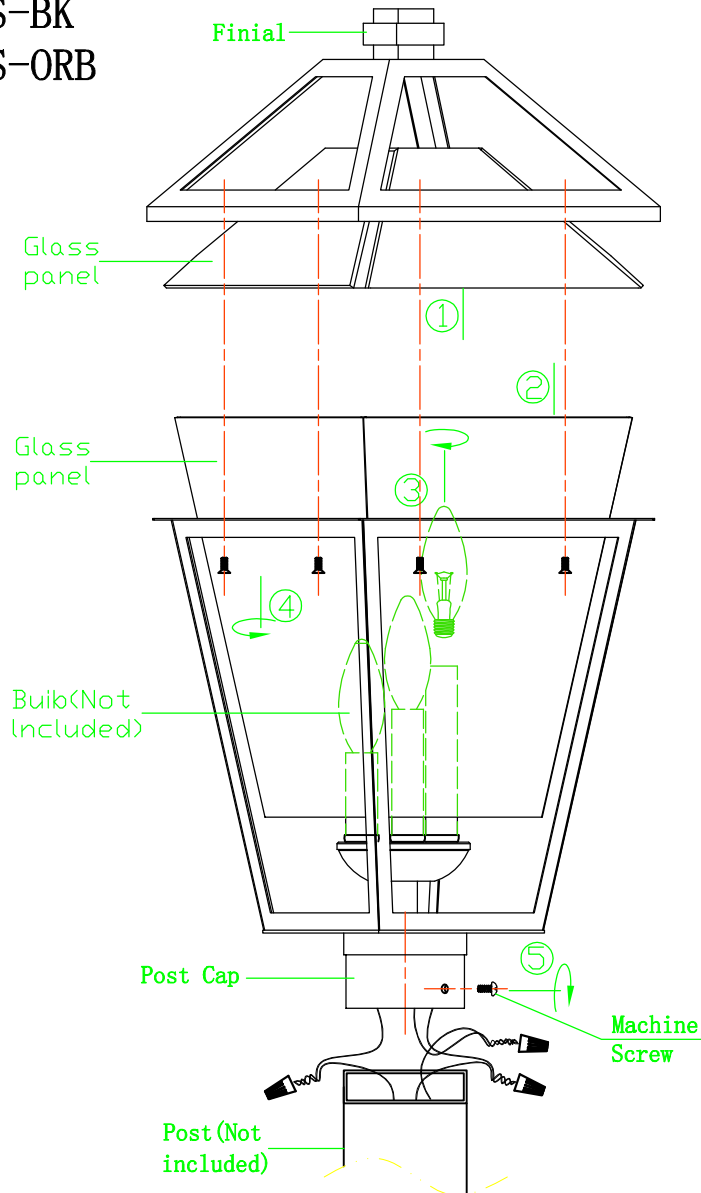


ASSEMBLY INSTRUCTIONS (English)

579PHXXLS-BK
579PHXXLS-ORB



READ & SAVE INSTALLATION & OPERATION INSTRUCTIONS

TOOLS & MATERIALS REQUIRED

- Screwdriver
- Wire Cutters
- Adjustable Wrench
- Wiring Supplies

CAUTION

Prior to assembly, refer to **ELECTRICAL CONNECTIONS** section. If you do not have electrical wiring experience, refer to a do-it-yourself wiring handbook or have your fixture installed by a qualified licensed electrician.

GENERAL

1. Be sure to read these instructions and review the diagrams thoroughly before beginning.
2. Electrical connections must be in accordance with local codes, ordinances, or the National Electric Code. If you are unfamiliar with methods of installing electrical wiring, secure the services of a qualified licensed electrician.
3. Before starting the installation, disconnect the power by turning off the circuit breaker or by removing appropriate fuse at fuse box. Turning the power off at the light switch is not sufficient to prevent electrical shock.

PREPARE THE FIXTURE

NOTE: First turn off electricity.

1. If replacing an existing fixture, disconnect and remove old fixture. Expose the supply wiring from outer fixture.
2. If your fixture is supplied with three machine screws, thread the long machine screws into the opposite side of outer fixture. While supporting the fixture, make electrical connections.

ELECTRICAL CONNECTIONS 120V ~, 60Hz

Connect white wire(s) from fixture to white neutral wire from supply circuit. Connect black wire(s) to black hot wire from supply circuit. Connect green wire to green or bare wire or grounding screw on mounting bracket. In all cases grounding conductor to earth must be used. Use UL/CUL Listed wire connects suitable for the size, type, and number of conductors. No loose strands or loose wires should be present. Secure wire connectors with UL/CUL Listed electrical tape.

FINAL ASSEMBLY

1. Spread electrical splices so black wires are on one side of outlet box and white wires on the other.
2. Attach assembled unit to outer fixture by using three screws and brass nuts, or the threaded stem with nut provided.
3. Install light bulbs (not provided) and cover assembly. Some models employ a twist off top cap to allow access to bulbs.
4. **CAUTION:** Refer to the relamping label located near lampholder for recommended maximum wattage. Do not exceed recommended wattage.
5. Use weather resistant caulk to seal around top and side perimeter of fixture back plate. Leave bottom uncaulked to allow for condensation evaporation.
6. Restore electrical power.

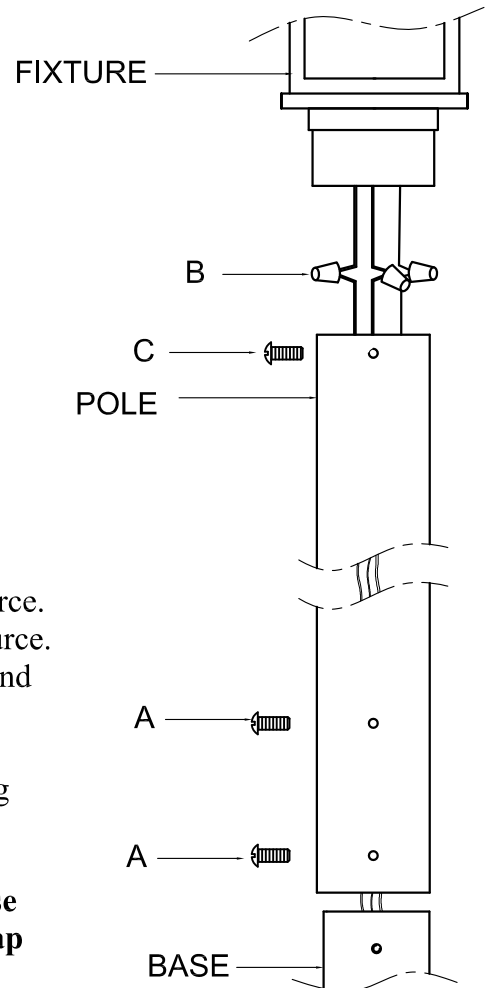
ASSEMBLY AND INSTALLATION INSTRUCTIONS

CAUTION: TO PREVENT POSSIBLE INJURY FROM ELECTRICAL SHOCK, POWER MUST BE TURNED OFF AT MAIN BREAKER PANEL OR FUSE BOX BEFORE INSTALLATION OF THIS ELECTRICAL DEVICE.

INSTALLATION STEPS:

- 1 Insert the underground electrical cable as required from the power source into the inlet hole near the base of the post and continue to feed the cable to the top of the post, allowing sufficient wire leads for splicing purposes.
- 2 Put the pole onto the base and secure with 8 stainless steel Screws (A).
- 3 Make wire connections with wire nuts:
 - a. The black wire from fixture to the black wire from power source.
 - b. The white wire from fixture to the white wire from power source.
 - c. Attach the ground wire from the fixture to the outlet box ground screw or to the green screw located on the crossbar.
4. Place the Fixture to the Post, and then secure with 4 Mounting Screws (C).

NOTE: If you need to reduce the height of the pole, please use electric tool to cut down to the height you need, and use the tap part (included) to drill hole and make screws thread.



ASSEMBLY AND INSTALLATION INSTRUCTIONS

We recommend that you check your local wiring codes and consult an electrical contractor before installation.

SAFETY ALERT!
FIND THE LOCATION OF ANY UNDERGROUND PLUMBING, POWER, LINES, AND OTHER LINES BEFORE DIGGING.

1 Anchor bolt set Installation: (Fig.2)

- a. Dig a hole 12" ~ 15" in diameter and to the required depth (Approx. 12" ~ 16" deep).
- b. Set the 2 Anchor Bolts (E) into the holes of the square installation plate (D).
- c. Pour concrete into the hole up to the level of the ground and sink the anchor set into the concrete. Make sure the top surface of the Square installation plate (D) is level to the ground surface, and the anchor bolts (E) protrude above the square installation plate (D) surface by 4- 1/4"

NOTE: Make sure the concrete is solid and dry before installing the lamp post. (Usually this takes up to 24 hours)

2 Attached the Base to the Anchor Bolts (E), and fastern with 2 washes (B) and 2 Cap nuts (A). (Fig.1)

3 Set the entire post and lantern assembly on to the Base, and secure the lamp post using 8 stainless steel screws (C).

