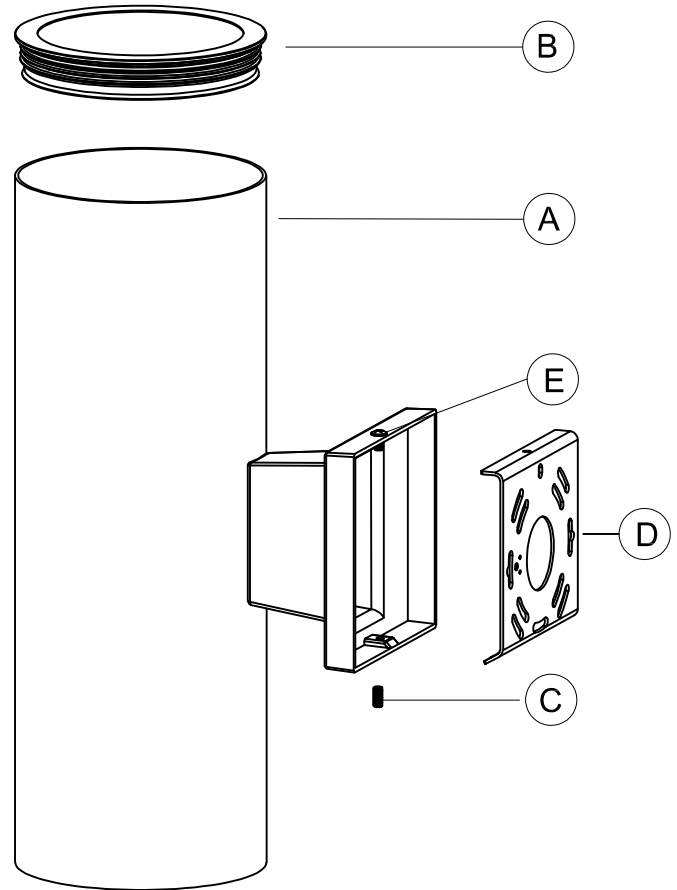


PACKAGE CONTENTS

PART	DESCRIPTION	QUANTITY
A	Fixture	1
B	Top cover	1
C	Set Screw	1
D	Mounting plate	1
E	Screw	1



ATTACH YOUR RECEIPT HERE

Purchase Date _____

HARDWARE CONTENTS (not actual size)

 <p>AA</p>  <p>Wire nut</p> <p>Qty:3</p>	 <p>BB</p>  <p>Allen wrench</p> <p>Qty:1</p>	
---	--	--



Missing parts? Please contact Customer Service at 1-800-447-0573,
8am-8pm (Eastern), Monday - Friday, or at customerservice@progresslighting.com



Safety Information

Please read and understand this entire manual before attempting to assemble, operate or install the product.

CAUTION: Read instructions carefully and turn electricity off at main circuit breaker panel before beginning installation.

CAUTION: Risk of fire. Min. 90°C supply conductors. Consult a qualified electrician to ensure correct branch circuit conductor.

WARNING: If any Special Control Devices are used with this fixture, follow instructions carefully to assure full compliance with N.E.C. requirements. If there are any questions, contact a qualified electrical contractor.

CAUTION: All glass is fragile. Use care when handling glass shades and bulbs.

WARNING - To comply with the National Electrical Code and Underwriters Laboratories requirements, when installed outdoors, or in wet locations, the edge of the wall plate coming in contact with the mounting surface, must be sealed with a latex waterproof caulking to prevent water from entering the outlet box.

Preparation

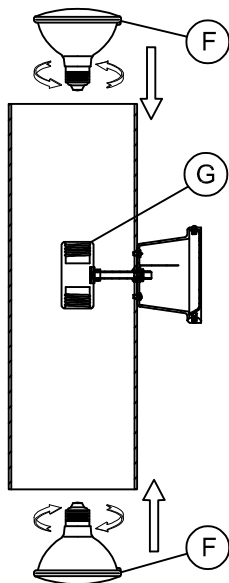
1. Before beginning installation, make sure all parts are included using the contents diagrams from page 1. If any part is missing or damaged, do not attempt to assemble, install or operate the product.
2. Estimated assembly time: 30 minutes.
3. Tools required for assembly (not included): Phillips screwdriver, pliers, wire stripper, safety glasses, electrical tape, ladder.

Care and Maintenance

Shut off main power supply before cleaning product or changing light bulbs. To clean, wipe with damp cloth. Do not use abrasive cleaners or cleaners that contain alcohol.

Assembly Instructions

1

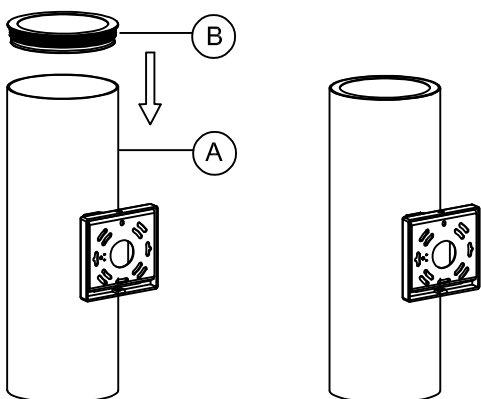


1. Install two lamps (F) (not included) to the up and down socket (G).

Use MAX 75 WATTS, TYPE PAR30 Halogen or MAX 75 WATTS, TYPE A19 Incandescent or MAX 75 WATTS, TYPE R30 or equivalent SBCFL or SBLED.

Use MAX 250 WATTS, TYPE Q PAR38 Halogen or MAX 150 WATTS, TYPE PAR38/R40 Incandescent or MAX 120 WATTS, TYPE BR40 Incandescent or equivalent SBCFL or SBLED.

2

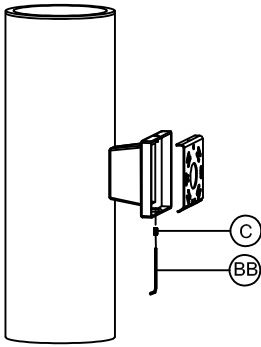


2. Attach top cover (B) to fixture (A).



(B) Top cover  X1

Assembly Instructions

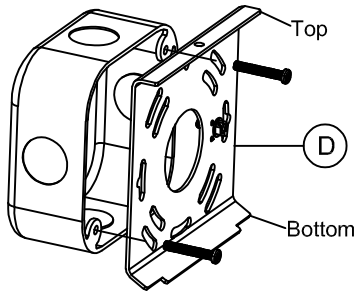
3



3. Use allen wrench (BB) to unscrew set screw (C). Remove the mounting plate (D) from the base.

- (BB) Allen wrench  X1
- (C) Set screw  X1

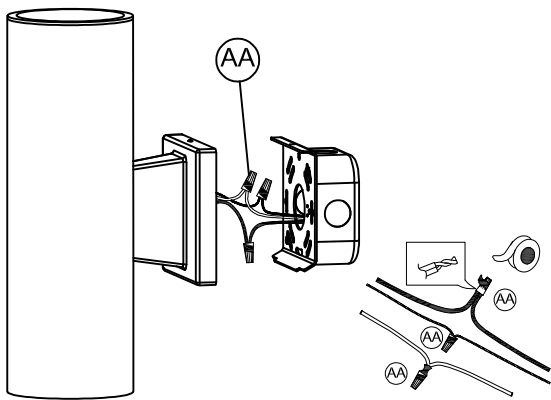
4



4. Attach mounting plate (D) to outlet box using the mounting screws supplied with the outlet box (not included).

- (D) Mounting plate  X1

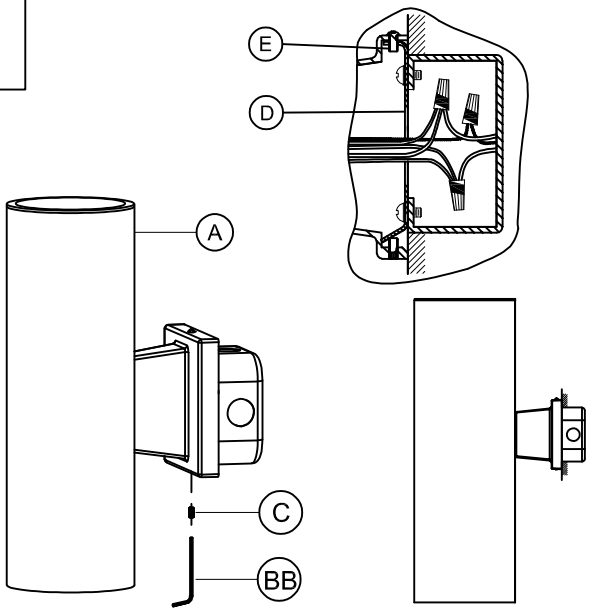
5






5. Strip 3/8" of insulation from the electrical wire ends. Using wire nuts (AA), connect WHITE fixture wire to the WHITE supply wire from the outlet box. Connect the BLACK fixture wire to the BLACK supply wire. Connect the fixture GROUND wire and supply GROUND wire using a wire nut or by fastening to the ground screw on the mounting plate.

- (AA) Wire nut  X3

6



6. Push all wire connections into the outlet box. Align screw (E) with hole in mounting plate (D). Use allen wrench (BB) to secure fixture (A) tightly to the mounting plate (D) using set screw (C).

- (BB) Allen wrench  X1
- (C) Set screw  X1
- (E) Screw  X1

Instrucciones de ensamblaje e instalación

Precaución: Lea cuidadosamente las instrucciones y desconecte la electricidad del cortacircuitos principal antes de iniciar la instalación.

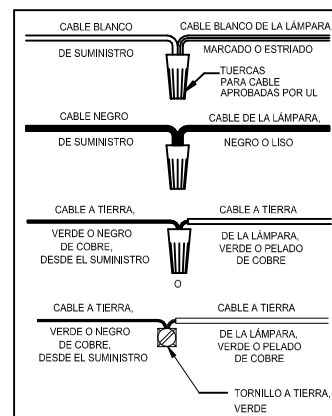
PRECAUCIÓN: Lea cuidadosamente las instrucciones y desconecte la electricidad del cortacircuitos principal antes de iniciar la instalación.

PRECAUCIÓN: Riesgo de fuego. Min. 90°C los cables de suministro. Consulte a un electricista calificado para asegurarse de que el conductor del circuito derivado correcto.

ADVERTENCIA - Si usa algún dispositivo especial de control con este aparato de luz, siga las instrucciones cuidadosamente para asegurar la completa conformidad con los requisitos N.E.C. Si existe alguna duda, contacte un electricista calificado.

PRECAUCION - El vidrio es frágil; tenga cuidado al manipular el (los) elemento(s) de vidrio y/o la(s) bombilla(s).

AVERTISSEMENT: Quant aux installations à l'extérieur ou aux endroits humides et afin d'accéder aux exigences du Code National de l'Électricité autant que les Laboratoires Underwriters, il faut que le bord de la plaque murale qui touche la surface de montage soit enduit d'un mastic de latex hermétique pour éviter que l'eau pénètre dans le boîtier de la prise de courant.



Instructions d'Assemblage et Installation

Mise en garde: Lire les instructions avec soin et couper le courant au disjoncteur central avant de commencer l'installation.

MISE EN GARDE: Lire les instructions avec soin et couper le courant au disjoncteur central avant de commencer l'installation.

MISE EN GARDE: Risque d'incendie. Min 90°C conducteurs d'alimentation. Consulter un électricien qualifié pour assurer le bon conducteur de circuit de dérivation.

AVERTISSEMENT - S'il y a d'autres mécanismes régulateurs qui s'emploient avec ce dispositif, suivre soigneusement les instructions pour satisfaire aux exigences NEC. Si vous avez des questions, consulter un électricien qualifié.

MISE EN GARDE - Le verre est toujours fragile; maniez le(s) composant(s) et/ou l' (les) ampoule(s) avec prudence.

ADVERTENCIA: Cuando la instalación se efectúe al exterior o en sitios húmedos para cumplir con las exigencias del Código Nacional de Electricidad y los Laboratorios Underwriters, el borde de la placa de pared que está en contacto con la superficie de montaje debe ser sellado con una masilla látex a prueba de agua para que la caja de conexiones no se moje por dentro.

